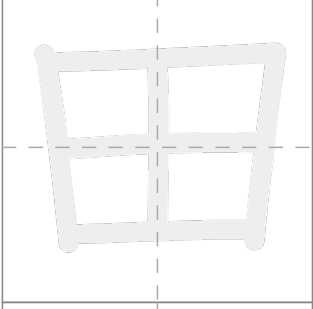
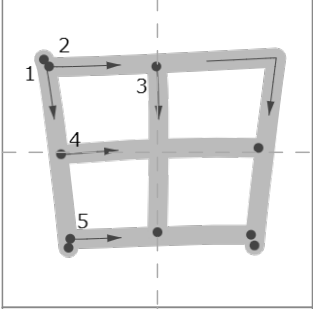
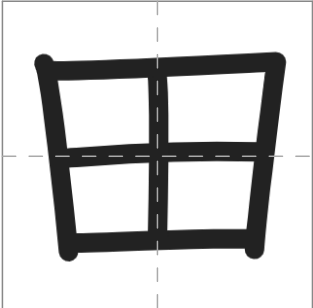
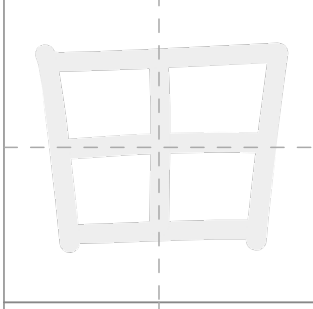
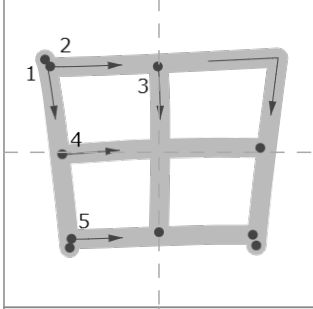
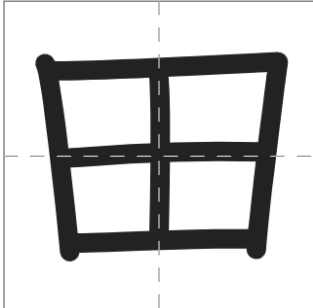


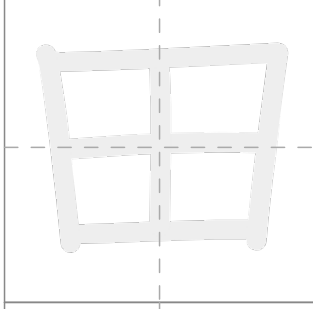
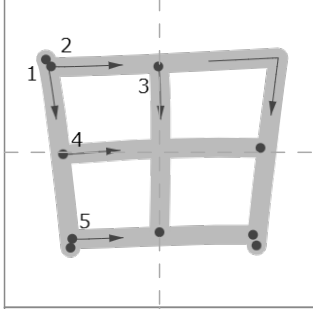
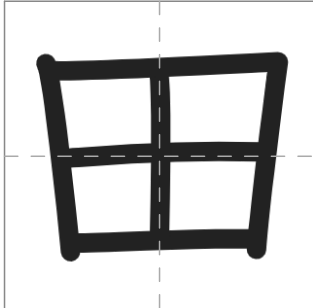
なまえ



A vertical writing area with a central dashed line and horizontal solid lines, providing space for independent practice of the character '田'.



A vertical writing area with a central dashed line and horizontal solid lines, providing space for independent practice of the character '田'.



A vertical writing area with a central dashed line and horizontal solid lines, providing space for independent practice of the character '田'.