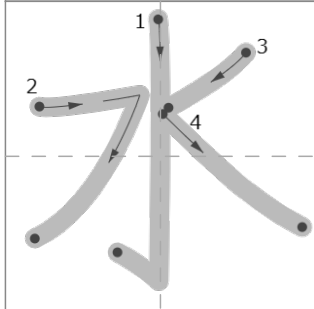


なまえ

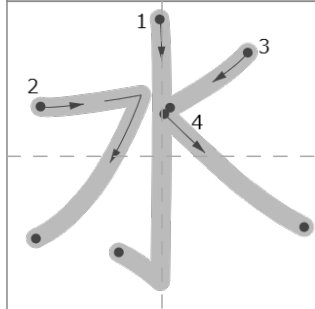
水



水

Blank handwriting practice area for the character '水' with a vertical dashed midline and horizontal dashed lines for reference.

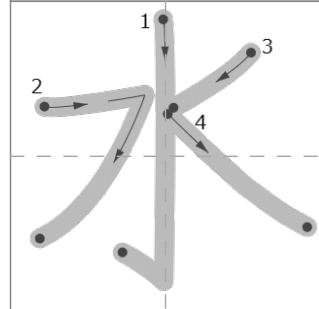
水



水

Blank handwriting practice area for the character '水' with a vertical dashed midline and horizontal dashed lines for reference.

水



水

Blank handwriting practice area for the character '水' with a vertical dashed midline and horizontal dashed lines for reference.